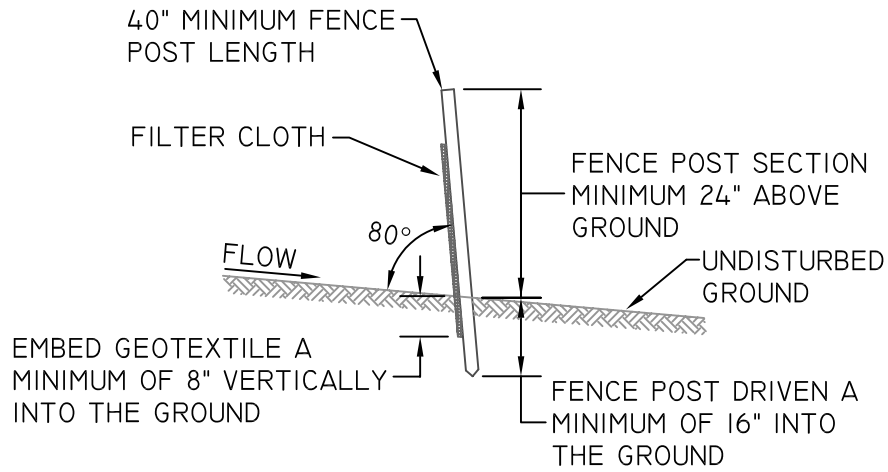
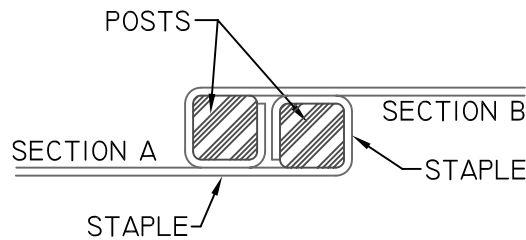


**ELEVATION VIEW**



**CROSS-SECTION**



**TOP VIEW, JOINING TWO  
ADJACENT SECTIONS**