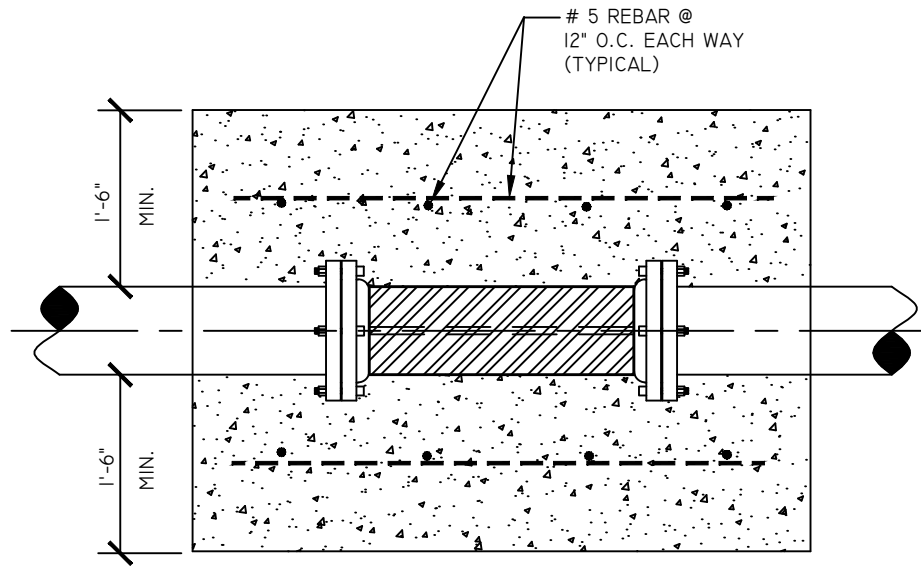


PLAN
NO SCALE



ELEVATION
NO SCALE

GENERAL NOTES

1. ALL THRUST BLOCKS TO BE TYPE 47-B MODIFIED POURED CONCRETE AS PER DIVISION II; "CONCRETE PAVING SPECIFICATIONS"; AND DIVISION VI "WATER MAINS".
2. ALL THRUST BLOCKS ARE TO BE POURED AGAINST UNDISTURBED SOIL.

THIS DOCUMENT WAS
ORIGINALLY SEALED AND
ISSUED BY RYAN L. SCHMITZ
E 3818, ON 1-15-2019. THIS
MEDIA SHOULD NOT BE
CONSIDERED A CERTIFIED
DOCUMENT, AND SHOULD BE
USED FOR REFERENCE ONLY.